

# elco



## **EK EVO**

### **EK EVO 8.5800 G-E**



## INNOVATION

Since its foundation in 1928, ELCO has always been a specialist in burners conception and manufacturing. By linking a strong innovative ability to a continued developing drive, ELCO has designed high performing and reliable burners as well as corresponding services throughout the years, and is today one of the leaders in the field of combustion technology.



## RESEARCH AND DEVELOPMENT

ELCO always looks for the best technologies and continues to develop new ones to improve the efficiency of its solutions.

Our R&D Laboratories are committed to develop innovative technological solutions allowing to:

- optimise the running of the installations lowering costs;
- offer service friendly products easy to maintain;
- preserve the environment lowering acoustic and pollutant emissions.



## OUR PRODUCT RANGE

Our experience at combustion technology available in a complete range of burners from 11 kW to 80 MW:



**VECTRON**  
11 - 2300 kW

**PROTRON**  
17 - 550 kW

**NEXTRON**  
250 - 11200 kW

**EK EVO**  
250 - 13500 kW

**N**  
1300 - 22000 kW

# CUTTING-EDGE BURNERS FOR HEATING AND INDUSTRIAL APPLICATIONS

## KNOW-HOW

Your contacts at ELCO and its partners are recognised experts with years of experience. Our worldwide support starts from concept creation to planning, design and project management up to commissioning and on-going operation of the plant throughout its life cycle. As an ELCO customer, you can rely on your installation to perform reliably. Our guarantee is backed up by a service that sets standards in our field.



## WORLDWIDE NETWORK

Capitalising on more than 90 years of work experience, ELCO has been capable to build up loyal partnerships and today can count on reliable Partners all over the World. Combining an instinctively global perspective with a genuinely multicultural approach ELCO today offers you skilled and experienced experts available in more than 70 Countries.

### In Europe

3 production plants  
6 commercial branches  
Strong commercial presence through a network of reliable dealers and partners

### Worldwide

2 Sales Offices in Russia and China  
Distribution in over 70 Countries



**HO/GHO-TRON**  
68 - 17000 kW

**RPD**  
500 - 80000 kW

**EK-DUO**  
600 - 16000 kW

**D-TRON**  
230 - 34000 kW

# MONOBLOCK

# EK EVO



## Monoblock burners from 250 kW to 13500 kW in gas, light oil and dual fuel

- The design of the EK EVO is the result of a successful synergy between ELCO key features and essential design. Professionals will appreciate the flexibility of a 180° orientable air inlet, the compact switch box and the easy to clean glossy paint

- All EK EVO models are fully electronically controlled and they are equipped with the exclusive ELCO man-machine interface allowing simple and effective programming operations

 NATURAL

 DUAL FUEL

 LIGHT OIL

### All EK EVO burners feature:

- integrated switch cabinet (ISC System) with modular concept complete for an easy installation with: BT300 control box, fan motor direct start-up, enumerated connection terminals, three-phase electrical power supply (available as options: power regulator, speed controller, O<sub>2</sub>/CO regulator and BUS interface)
- innovative design allowing easy access to burner components for fast start-up and reduced maintenance time and space
- orientable air intake box
- products are in compliance with EN676 and EN267 European standards and with the following directives: 2014/35/EU Low Voltage Directive, 2014/30/UE EMC Directive, 2016/426/UE Gas Appliances Directive, 2006/42/EC Machinery Directive, 2011/65/EU RoHS2 Directive

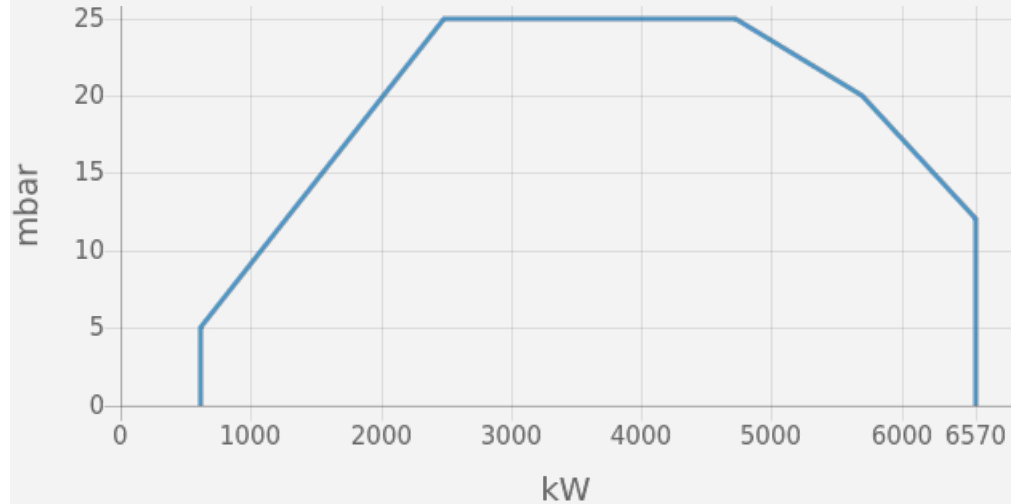
# EK EVO \_ EK EVO 8.5800 G-E



- Operation: two stage progressive/modulating electronic;
- Emission class: Low NOx class 2 (<120 mg/kWh) according to EN676



## WORKING DIAGRAM



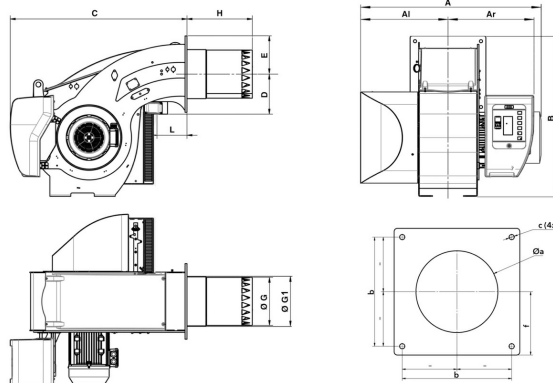
## TECHNICAL DATA

Minimum power output (kW)	620
Maximum power output (kW)	6570
Minimum gas pressure (mbar)	60
Maximum gas pressure (mbar)	500
Fan motor (kW)	11
Protection level	IP41

## OTHER AVAILABLE CONFIGURATIONS

- Permanent ventilation;
- 60 Hz version;
- Remote display;
- LPG firing;
- Hinge flange

## OVERALL DIMENSIONS



Al	Ar	A	B	C	D	E	G	G1	H	L	Øa	b	c	f
670	653	1323	1231	1353	307	288	369	376	KN: 500 / KM: 640 / KL: 780	230	390-410	505	M20	293

## Subsidiaries ELCO

### GERMANY

ELCO GmbH  
Dreieichstraße 10  
Mörfelden-Walldorf  
Tel.: +49 (0) 6105 287-287  
Fax: +49 (0) 6105 287-199

### NETHERLANDS

Elco Burners B.V.  
Meerpaalweg, 1  
1332 BB Almere  
P.O. box 30048  
1303 AA Almere  
Tel. +31 088 69 573 11  
Fax +31 088 69 573 90

### FRANCE

14, rue du Saule Trapu  
Parc d'activité du Moulin  
91882 Massy  
Tel. +33 01 60 13 64 64  
Fax +33 01 60 13 64 65

### SWITZERLAND

Elcotherm AG  
Sarganserstrasse 100  
7324 Vilters  
Tel. +41 (0)81 725 25 25  
Fax +41 (0)81 723 13 59

### AUSTRIA

ELCO Austria GmbH  
Aredstraße 16 - 18  
2544 Leobersdorf  
Tel. +43 (0)2256 639 99 32  
Fax +43 (0)2256 644 11

### ITALY

Via Roma, 64  
31023 Resana (TV)  
Tel. +39 0423 719500  
Fax +39 0423 719580

### UK & IRELAND

Ariston Thermo UK Ltd  
Suite 3, The Crown House  
Blackpole East, Blackpole Road,  
Worcester WR3 8SG  
Tel. +44 01905 788010  
Fax +44 01905 788011

### RUSSIA

Ariston Thermo RUS  
Eniseyskaya str. 1, bld 1,  
Office Center "LIRA" #438  
129344 Moscow  
Tel. +7 495 213 0300 #5700  
Fax +7 495 213 0302

### CHINA

Ariston Thermo (China) Co., Ltd.  
F/15, V-Capital Bldg  
No. 333 Xian Xia Road  
200336 Shanghai  
Tel. +86 21 6039 8691  
Fax +86 21 6039 8620

Contact us to know more  
about our products and solutions

[www.elco-burners.com](http://www.elco-burners.com)  
[contact@elco-burners.com](mailto:contact@elco-burners.com)