

HTS 190 S/90.65

SILICON CARBIDE BURNER CONE

HTS 190 S/90 - MV Ø65

Maximum output [kW]		190
Fuel pressure at maximum capacity [mbar] (measured at P _{1,F} - pag. 2)	Natural gas (8250 kcal/Nm ³)	51
	LPG (22500 kcal/Nm ³)	
Air pressure at maximum capacity [mbar] (measured at P _{1,A} - pag. 2)	Natural gas (8250 kcal/Nm ³)	80
	LPG (22500 kcal/Nm ³)	
Flame length at maximum capacity [mm] (measured from the end of the burner body)	Natural gas (8250 kcal/Nm ³)	600
	LPG (22500 kcal/Nm ³)	
Flame speed at maximum capacity [m/s] (with 20% excess of air)	Medium speed	95
Flame detection	Ionization flame detection electrode or UV cell	
Fuel	Natural gas (LPG and other fuel on request)	

All information is based on laboratory tests in a neutral pressure chamber. Different conditions and chamber sizes can affect the data.

All information is based on a standard combustor design. Modifications to the combustor will alter performance and pressures.

All data are based on gross calorific values.

All information is based on tests conducted on generally acceptable air and gas piping systems.

Data reported in this technical sheet are subject to change without notice.

Performance data and dimensions are guidelines only and are not binding.

ELCO reserves the right to modify the construction and / or configuration of its products at any time

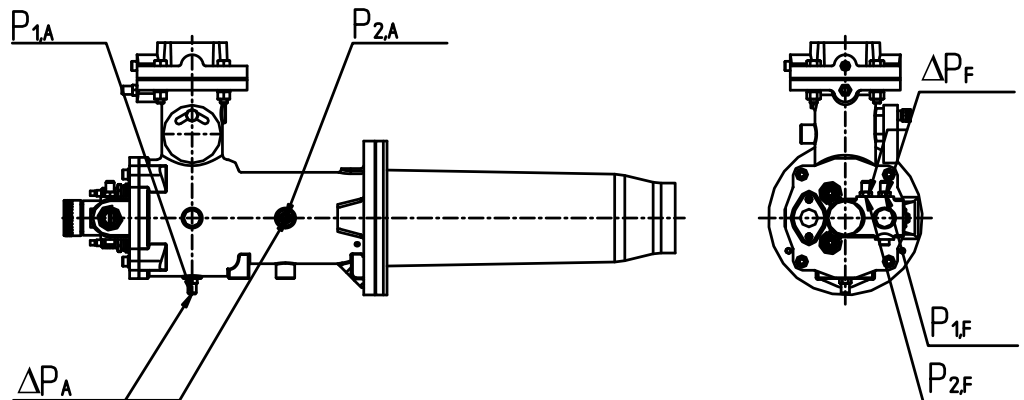
CHARACTERISTICS OF THE BURNER

Fuel 1: CH₄
 Fuel 1 diaphragm: Ø13

Fuel 2: LPG
 Fuel 2 diaphragm: Ø10

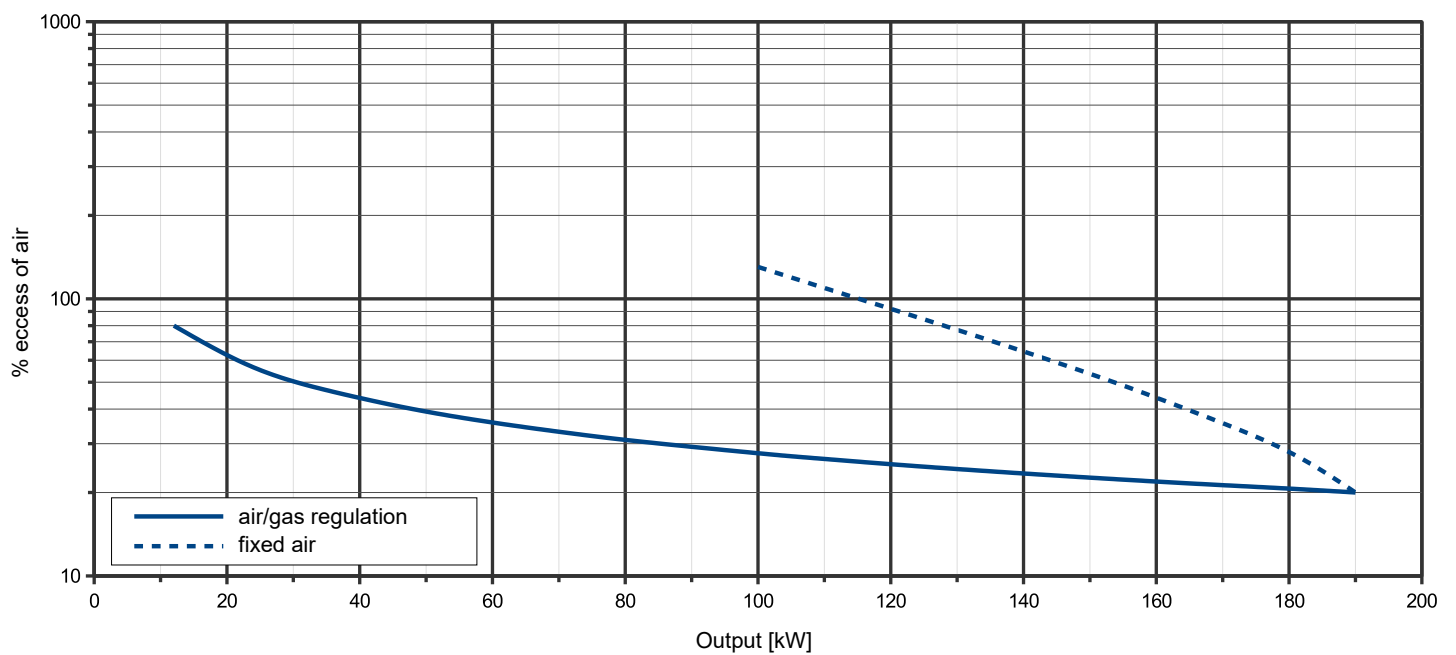
Comburent: Air
 Comburent diap.: Ø78

Cone: Ø65



OPERATING RANGE

TYPICAL OPERATING RANGE



LEGENDA

Q_F Fuel flow
 Q_A Air flow

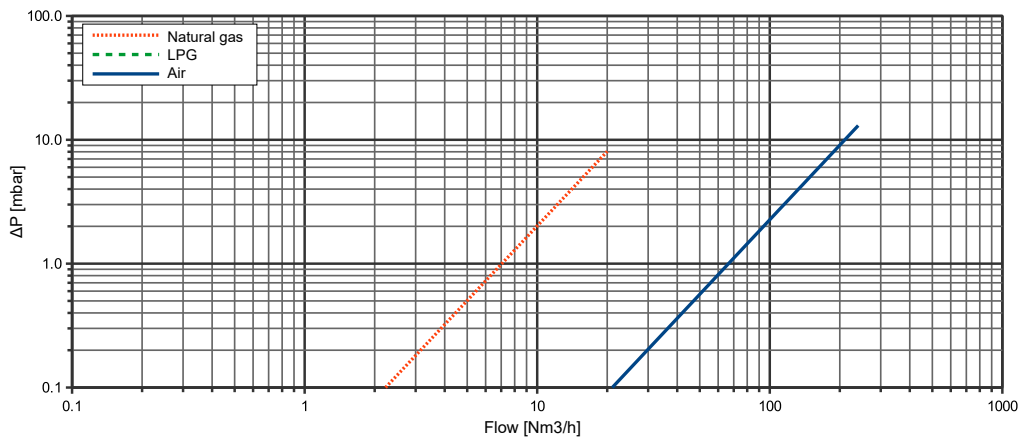
$P_{1,F}$ Fuel pressure upstream the diaphragm
 $P_{1,A}$ Air pressure upstream the diaphragm
 $P_{2,F}$ Fuel pressure downstream the diaphragm

$P_{2,A}$ Air pressure downstream the diaphragm
 ΔP_F Differential fuel pressure between ports 1 and 2
 ΔP_A Differential air pressure between ports 1 and 2

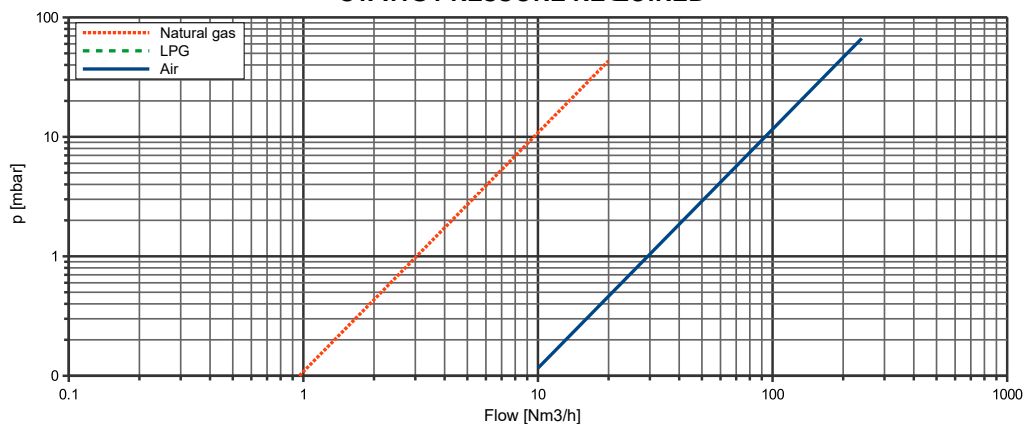
FLOW RATE CURVES

Q_F [Nm ³ /h]	FUEL	
	$P_{1,F}$ [mbar] Natural gas	ΔP_F [mbar] Natural gas
0.5	0.03	0.01
1	0.11	0.02
2	0.43	0.08
3	0.97	0.18
4	1.73	0.32
5	2.71	0.50
6	3.90	0.73
7	5.31	0.99
8	6.93	1.29
9	8.77	1.63
10	10.83	2.01
11	13.10	2.44
12	15.59	2.90
13	18.30	3.40
14	21.23	3.95
15	24.37	4.53
16	27.72	5.16
17	31.30	5.82
17.5	33.16	6.17
18	35.09	6.53
18.5	37.06	6.89
19	39.09	7.27
19.5	41.18	7.66
20	43.32	8.06

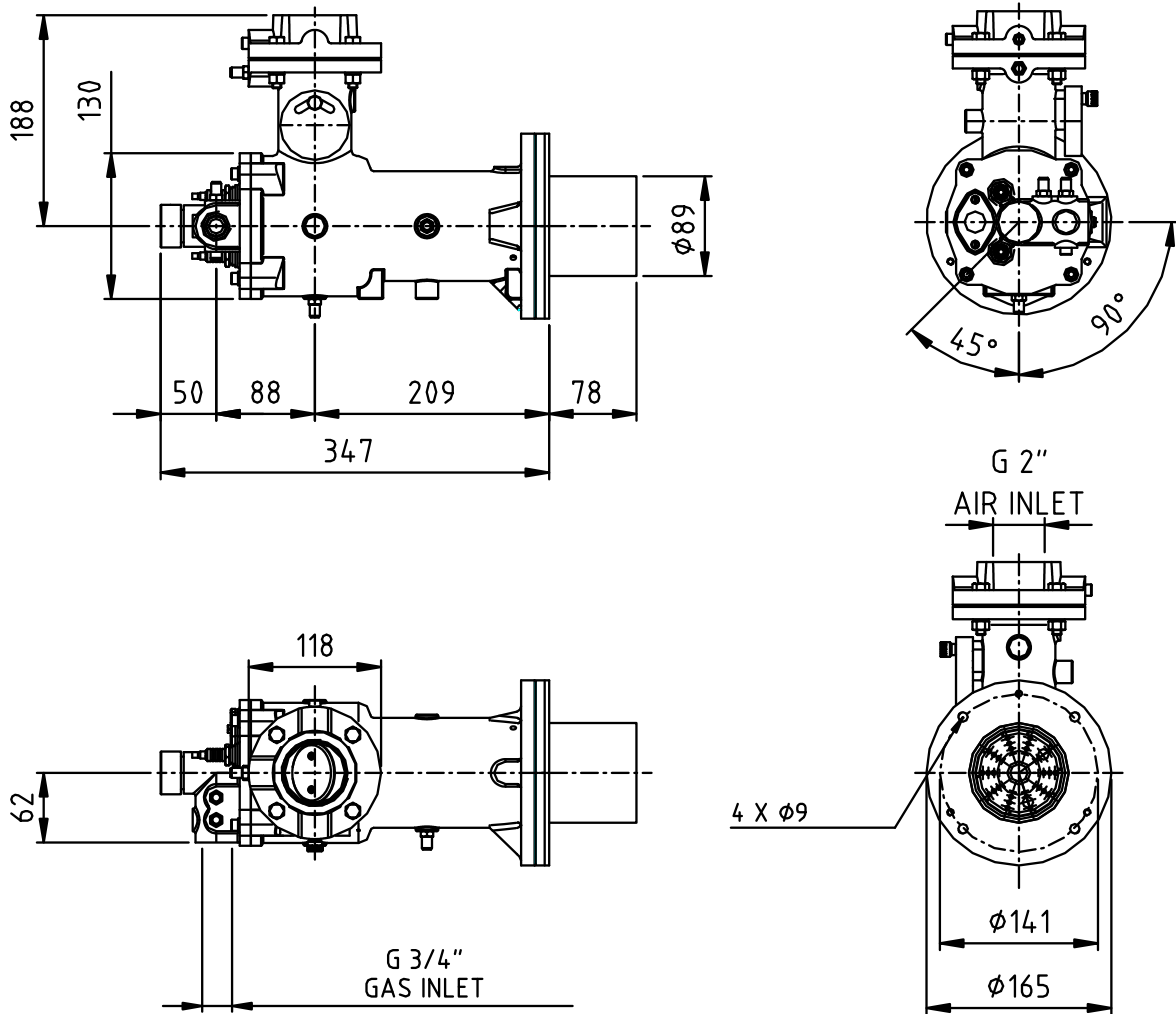
Q_A [Nm ³ /h]	AIR	
	$P_{1,A}$ [mbar]	ΔP_A [mbar]
10	0.12	0.02
20	0.46	0.09
30	1.04	0.20
40	1.85	0.36
50	2.89	0.57
60	4.17	0.81
70	5.67	1.11
80	7.41	1.45
90	9.38	1.83
100	11.58	2.26
110	14.01	2.74
120	16.67	3.26
130	19.57	3.82
140	22.69	4.43
150	26.05	5.09
160	29.64	5.79
170	33.46	6.54
180	37.51	7.33
190	41.80	8.16
200	46.31	9.05
210	51.06	9.97
220	56.04	10.95
230	61.25	11.96
240	66.69	13.03



STATIC PRESSURE REQUIRED



DIMENSIONS [mm]



Silicon carbide burner cone:

